

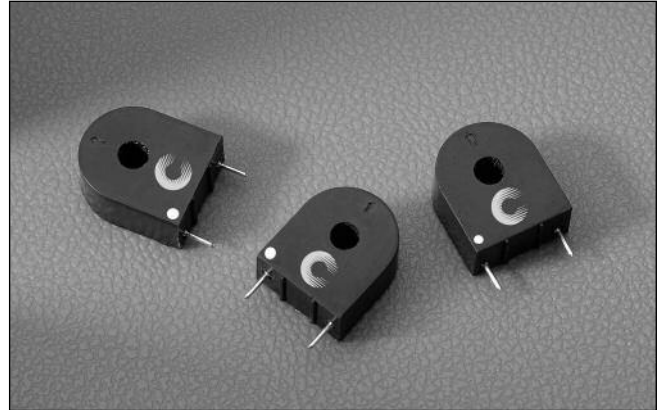
Description

- Encapsulated Through Hole Design
- Isolation between Pri and Sec of 3750 Volts
- Materials meet UL Class B



Applications

- Feedback elements linking the output and pulse control circuitry
- Switch Mode Power Supplies: PFC, Half-bridge, Full-bridge, Forward
- Off-Line
- Telecom

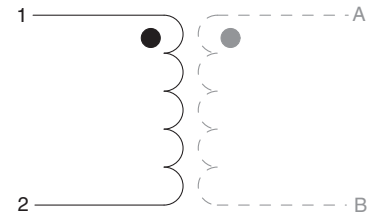
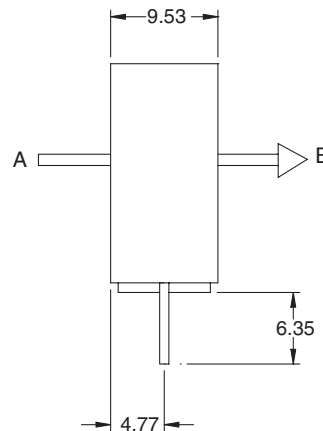
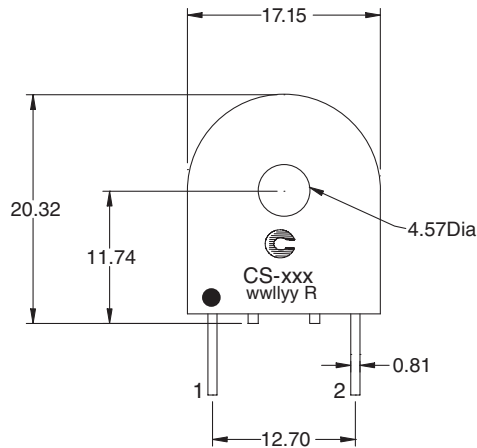


Part Number	Inductance (mH)	Turns +/-1%	Current Range AMPS	DCR (Ω) +/-15% @ 20°C	Recommended Terminating Resistor	Frequency Range
CS-1050-R	5.6	50	1-10	0.60	50 ohms	20k-200kHz
CS-1100-R	22.4	100	2-20	1.3	100 ohms	20k-200kHz
CS-1200-R	89.7	200	4-40	3.3	200 ohms	20k-100kHz

- 1) Test Parameters: 10kHz, 0.25 Vrms
- 2) Dimensions in Millimeters
- 3) Output Voltage is 1v/A with the terminating resistor and is linear over the specified range

- 4) Hipot is 3750 Volts from winding to test wire A-B
- 5) Materials meet UL Class B
- 6) Polarity Indicator Dot: (This lead is in phase with lead A of conductor A-B)

Mechanical Diagrams



xxx = Inductance value
wwllly = Date code R = Revision level

This bulletin is intended to present product design solutions and technical information that will help the end user with design applications. Cooper Electronic Technologies reserves the right, without notice, to change design or construction of any products and to discontinue or limit distribution of any products. Cooper Electronic Technologies also reserves the right to change or update, without notice, any technical information contained in this bulletin. Once a product has been selected, it should be tested by the user in all possible applications.

Life Support Policy: Cooper Electronic Technologies does not authorize the use of any of its products for use in life support devices or systems without the express written approval of an officer of the Company. Life support systems are devices which support or sustain life, and whose failure to perform, when properly used in accordance with instructions for use provided in the labeling, can be reasonably expected to result in significant injury to the user.